

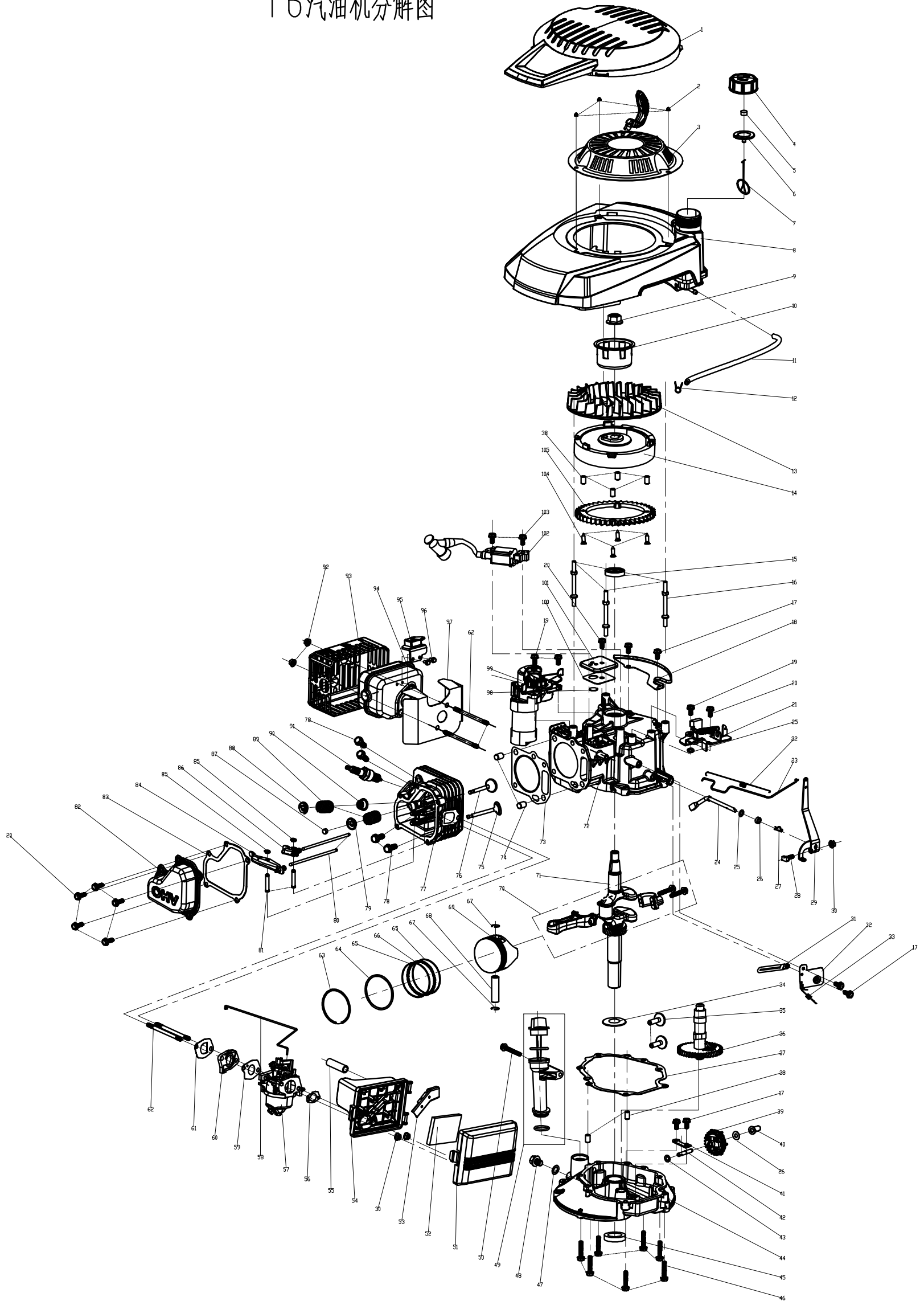
宁波市德霖机械有限公司		S511VHY-T6锂电	
定速刹车+锂电启动+H		轮+前脸	
标记	外数	更改文件号	签字
设计		标准化	日期
审核		日期	
工艺		共	第
		页	页
			1:15
			重量
			图样标记

RPM 5135E-851770-S511VHY-T6-part list

Model: S511VH-T			
	Material No.	English Description	Qty
1	60100030000	Inch hex flange bolts	1
2	70040070000	blade washer	1
3	70130360000	blade	1
4	70140400000	Blade Adapter Assy	1
5	60060390000	Hexagon head bolts	1
6	60060180000	Hex flange bolts	2
7	20660110000	belt cover	1
8	60170300000	Phillips flat head self tapping screw	7
9	20200250000	front mask	1
10	20200240000	front mask	1
11	60170290000	Phillips flat head self tapping screw	12
12	60060520000	Bolt	2
13	60150080000	Self-locking nut	4
14	70740910130	deck welding assy.	1
15	60410080000	Pull Spring for Pull Rod	1
16	70180180640	Height Adjustment Pull Rod	1
17	60300030000	R type pin	4
18	60060170000	Hex flange bolts	6
19	70070120000	right bracket	1
20	T851960	petrol engine	1
21	20460030000	inlet	1
22	20460010000	inlet	1
23	60370020000	"O" ring	1
24	20590020000	cable stopper	1
25	60150060000	Self-locking nut	4
26	20750090000	rear discharge cover dust proof board	1
27	20160090000	mulching plug	1
28	70250060000	Board for Height Adjuster	1
29	70070060000	right bracket	1
30	60170400000	self tapping screw	4
31	20620200640	outer cover of hub	2
32	60150090000	Self-locking nut	10
33	60200580000	Gasket	1
34	20490090000	block	1
35	20650200000	control board upper cover	1
36	60380600000	cover spring	1
37	70030070000	Mulch Shaft	1
38	60390010000	mulch board spring	1
39	20120010000	mulching board	1
40	20110080000	side discharge cover	1
41	60170580000	self tapping screw	2
42	70060060130	Bracket plate for defelctor	1
43	20880300000	wheel assy.	2
44	20610120000	inner cover of hub	2
45	60180110000	Resilient washer	2
46	70840410000	front drive assy.	1
47	60320060000	v belt	1
48	60410560000	selfpropelled spring	1
49	70050230000	Brake spring	1
50	70860570000	selfpropelled assy.	1
51	60290080000	bratchet pin	2
52	20430030060	rear wheel axle sleeve	2
53	21070030000	selfpropelled ratchet washer	4

54	60240060000	spring washer	4
55	70300170000	Ratchet Wheel L	1
56	20140170000	front bracket fastener	2
57	70290200000	Displacement pressure plate after	2
58	70300180000	Ratchet Wheel L	1
59	20620230640	outer cover of hub	2
60	20880330000	wheel assy.	2
61	20610060000	inner cover of hub	2
62	70850570000	rear drive assy.	1
63	20270010000	height adjustment ball	1
64	20050080136	fabric grass bag	1
65	70010090000	fabric metal frame	1
66	60220010000	lock washer	2
67	70030050000	Shaft for rear discharge cover	1
68	60380240000	cover spring	1
69	20380090000	rear discharge cover	1
70	70040100000	blade washer	4
71	20080090000	top of grass box	1
72	21010010640	filter net of grass bag	1
73	20340060130	foam pipe	1
74	70550074130	Self-propelled Lever	1
75	70500411031	upper handrail	1
76	20030030000	lever guard	1
77	60060590000	Bolt	3
78	70230190000	Hang buckle	1
79	60130020000	Cap nut	1
80	20580020640	quick fix knob	2
81	60250080000	Pin	2
82	70520210031	lower handrail	1
83	60040090000	Half round head square neck bolts	2
84	60200470000	flat Gasket	4
85	20040050640	triangle knob	2
86	60140080000	Hexagon nut	4
87	20240020000	fastener	1
88	70220020000	Quick Fix Handle	2
89	70050180000	lock for fast fix handle	2
90	20040140640	triangle knob	2
91	70810040000	brake cable	1
92	70780080000	selfpropelled cable	1
93	70050120000	Brake Cable Assy plate	1
94	70540084640	stop lever	1
95	30030030000	electric start switch	1
96	60060070000	Hex flange bolts	4
97	60190200000	flat washer	4
98	60171090000	Cross recessed countersunk head screws	4
99	20440110000	cable fastener	2
100	60170190000	Cross recessed Pan head tapping screws	4
101	20570120000	The handrail panel assembly	1
102	30090210000	The plug-in circuit board assembly	1
103	20570110000	The handrail panel assembly	1
104	25190140000	bottom of grass box	1
105	30050090000	Charger assembly	1
106	30090150000	The plug-in circuit board assembly	1
107	30010330000	Insert fuse	1

T6汽油机分解图



图号
 图名
 设计
 审核
 日期

						宁波市德霖机械有限公司			
						T475带刹车不带调速款			
标记	处数	分区	更改文件号	签名	年月日	阶段标记	数量	重量	比例
设计			标准化				1		1:4
校对			审定						
审核									
工艺			批准						
						共 1 页	第 1 页	版本 A1	☐ ⊕

135E-851770-T6-Engine part list201

	Material Code	English	Qty
1	25190160640	The transparent cover	1
2	60130020000	Cap nut	3
3	75430110000	pull starter assy.	1
4	25170110000	fuel tank cap	1
5	80010070000	fuel tank cap sponge	1
6	60440340000	Fuel Tank Cap seal gasket	1
7	25250010000	connect cable of fuel	1
8	25190190000	The transparent cover	1
9	60140050000	Hex flange nuts	1
10	75210010000	starter hub	1
11	25160140000	fuel pipe	1
12	60230010000	fuel pipe lock clamp II	1
13	25040110000	fan	1
14	75390230000	flywheel assy	1
15	60360090000	oil seal	1
16	60080230000	Dual-head bolts	3
17	60060520000	Bolt	8
18	75030140000	wind shield	1
19	60060550000	Bolt	3
20	60060530000	Bolt	7
21	75380900000	detent assy.	1
22	60410050000	valve spring	1
23	75160060000	Handspike of Valve	1
24	75290010000	rate-limiting rocker arm	1
25	60200490000	Gasket	3
26	60360080000	oil seal	1
27	60300040000	R type pin	1
28	60060730000	bolt	1
29	75070010000	throttle rocker arm	1
30	60140020000	Hex flange nuts	3
31	60450010000	clip	1
32	75360010000	single phrase throttle	1
33	60410470000	throttle control spring	1
34	60200180000	clockwise gear gasket	1
35	75250010000	pin	2
36	75470020000	camshaft assy.	1
37	75720240000	Respirator head gasket	1
38	60280030000	spacing pin	6
39	75520020000	rate-limiting gear assy	1
40	25070010000	Sliding Sleeve	1
41	75280020000	rate-limiting gear shaft	1
42	75270030000	rate-limiting gear shaft	1
43	60200060000	Gasket	1
44	75240120000	Crank box cover	1
45	60360100000	oil seal	1
46	60060590000	Bolt	7
47	60200150000	Oil drain bolt gasket	1

BOM

|

48	60061020000	Oil drain bolt	1
49	25200130000	Lubricating Gauge Ass	1
50	60060630000	Bolt	1
51	25120060000	Air Filter Cover	1
52	25300120000	Foam filter	1
53	25020050000	Vent groove cover pla	1
54	25110100000	An air filter base.	1
55	25030070000	waste pipe	1
56	75730100000	Air filter paper pad	1
57	75410630000	Carburetor	1
58	75760160000	Choke lever	1
59	75730030000	Carburetor paper pad	1
60	25090010000	Air Inlet Pipe	1
61	75730020000	Carburetor paper pad	1
62	60080030000	Dual-head bolts	4
63	75130130000	Piston Ring I	1
64	75130140000	Piston Ring II	1
65	75090060000	Guide Rail	2
66	75000070000	Bushing Ring	1
67	60400020000	Piston Pin circlip	2
68	60310010000	piston pin	1
69	75120090000	Piston	1
70	75460070000	connecting rod assy.	1
71	75510750000	crankshaft assy.	1
72	75500160000	crankshaft box assy.	1
73	75720100000	Cylinder head gasket	1
74	60280020000	spacing pin	2
75	75190040000	Exhaust Valve	1
76	75170040000	IntakeValve	1
77	75490090000	cyclinder head assy.	1
78	60050030000	locking bolt	4
79	75180020000	Spring Coil of Exhaust	1
80	75350030000	push rod	2
81	75290050000	Valve rocker shaft	2
82	75080040000	cylinder head cover	1
83	75720300000	Cylinder head gasket	1
84	75230031000	Exhaust valve rocker c	1
85	60240240000	washer	2
86	75230030000	Air intake door rocker	1
87	75200010000	Top Cover of Exhaust	1
88	75180010000	Spring Coil of Intake V	1
89	60380090000	valve spring	2
90	60360130000	oil seal assy	1
91	75140010000	spark plug	1
92	60150100000	Self-locking nut	2
93	75530090000	muffler cover assy.	1
94	75540120000	muffler assy.	1
95	30071030000	The choke controller	1
96	60060040000	Hex flange bolts	2
97	75740080000	Muffler pad	1

98	75100030000	Respirator valve plate	1
99	79991310000	Start the motor	1
100	75720310000	Respirator head gaske	1
101	75400030000	Valve rocker shaft	2
102	75370070000	ignition assy.	1
103	60060580000	Bolt	2
104	60170860000	Cross recessed counte	4
105	25250120000	The fuel tank cap Lan	1